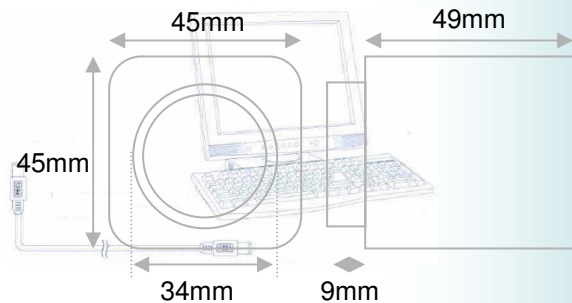


Digital Imaging Camera

- **USB 2.0 Direct Connect**

UCM480



Features

- **No additional Video capture card** needed - directly connect to PC's USB 2.0 Port.
- Can be connected directly to **Notebook or PC** with USB 2.0 Port
- Requires **no external power** supply to camera
- View live **high resolution, uncompressed video** on PC monitor with 20fps at **800x600** resolution and 24bit colors.
- Capture high resolution image with **800x600** resolution and 24bit colors.
- Supports Microsoft DirectShow – **WDM, TWAIN and VFW** drivers.
- C-Mount, Tripod Mounting Socket & Aluminum Casing

Specification

Imaging Chip

- Type: 480K pixels CMOS sensor
- Pixel Size: 6.2x6.2 μ m²
- Image Area: 4.96 mm x 3.72 mm
- Resolution: 800x600 active pixels
- Scan Mode: Progressive
- Image Array Size: 1/3"
- Frame Rate: 20 fps at 800x600 (24bit Color)
- Shutter: Electronic rolling
- Sensitivity : < 3 lux @ f1.2
- Gamma: Software programmable
- S/N Ratio: >48 dB
- Fixed Pattern Noise < 0.03%

Interface

- Data Format : 8-bit or 10 bit, uncompressed
- Interface Type : USB 2.0

Software (Driver) Command and Control

- Contrast & Brightness Control
- Exposure Control
- Hue, Saturation: User Configurable
- Sharpness Control
- Auto White Balance

Minimum System Requirement

- CPU: Pentium III 600Mhz or AMD Athlon 600 or higher speed
- Hard Disk Space: 1G or more
- Display Card: 8Mb or more
- RAM: 64Mb or more
- Others: CD-ROM driver
- OS: Windows 98SE/ME/2000/XP
- USB 2.0: 1 empty slot